



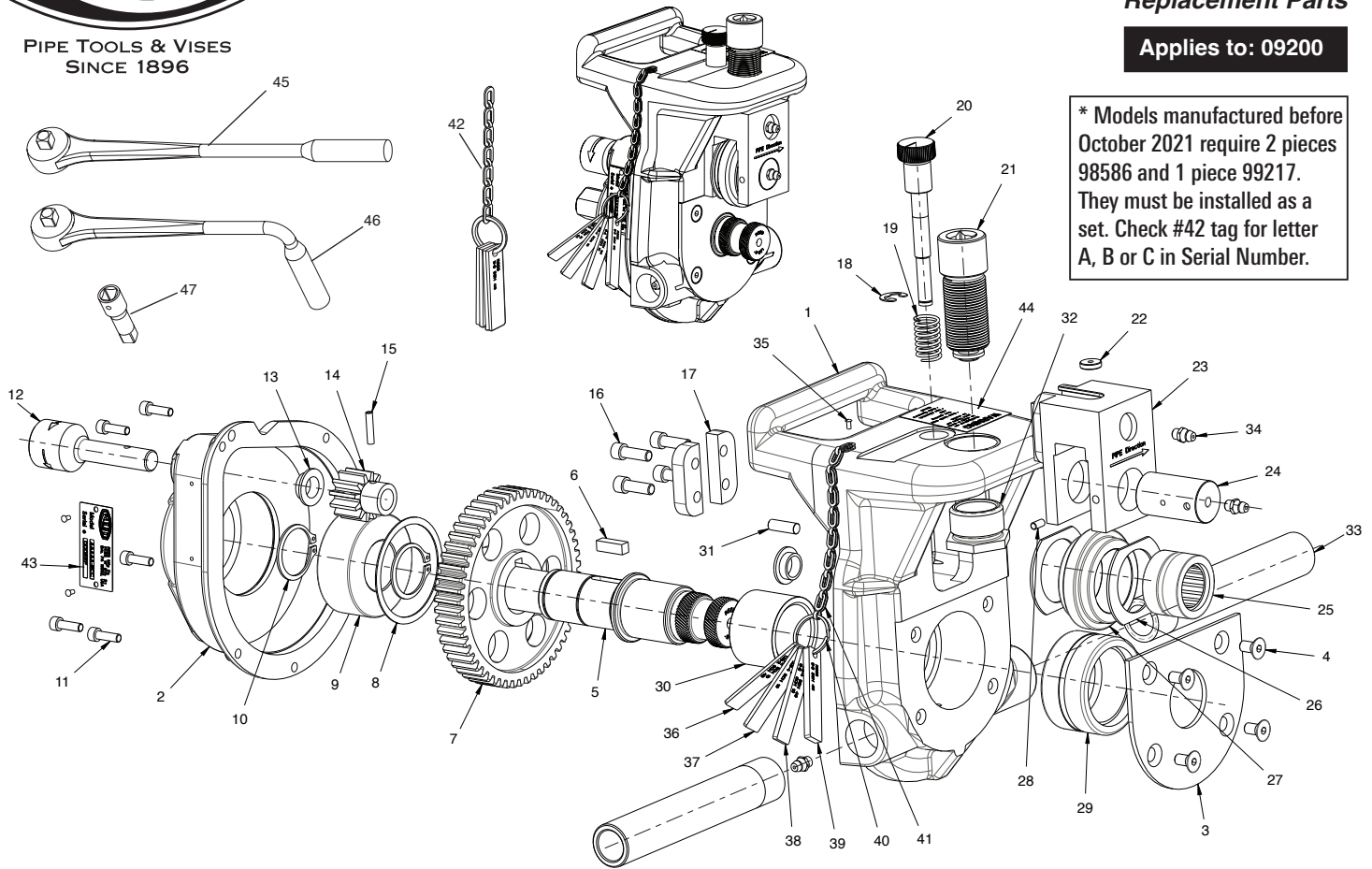
PIPE TOOLS & VISES
SINCE 1896

RGCOMBO2 Roll Groover

Replacement Parts

Applies to: 09200

* Models manufactured before October 2021 require 2 pieces 98586 and 1 piece 99217. They must be installed as a set. Check #42 tag for letter A, B or C in Serial Number.



Parts List

Ref No.	Description	Item Code	Qty.	Ref No.	Description	Item Code	Qty.
1	Main Body	99200	1	25	Needle Bearing	40431	1
2	Gear Housing	99201	1	26	Thrust Washer*	98586	2
3	Cover Plate	99203	1	27	Groove Roll	98589	1
4	1/4 - 20 x 1/2 Flat Head Socket	30216	4	28	Socket Set Screw	30214	1
5	Driveshaft	99219	1	29	Bottom Roller Bearing	40433	1
6	Key 1/4 x 1/4 x 3/4	39208	1	30	Roller Bearing - Inner Ring	40430	1
7	Gear, Manual Drive Shaft	99208	1	31	Dowel Pin	38847	1
8	Retaining Ring	30207	1	32	Threaded Bushing	99215	1
9	Bottom Thrust Bearing	40432	1	33	Support Bar	98511	2
10	Retaining Ring	30211	2	34	Grease Fitting	40338	3
11	10 - 24 x 5/8 SHCS	39200	5	35	Drive Pin	30133	3
12	Crank Shaft	98587	1	36	0.08" Thick Depth Gauge	98517	1
13	Bronze Bushing	40461	2	37	0.09" Thick Depth Gauge	98514	1
14	Gear, Crankshaft	99210	1	38	0.13" Thick Depth Gauge	98513	1
15	Coil Spring Pin	38587	1	39	0.16" Thick Depth Gauge	98512	1
16	1/4 - 20 x 5/8 SHCS	30105	4	40	Split Ring	40204	1
17	Slide Block Retainer	99218	2	41	Brass Safety Chain	40434	1
18	Retaining Ring	30209	1	42	Replacement Gauge Set (includes 36, 37, 38, 39, 40, 41)	98515	1
19	Compression Spring	30212	1	43	Metalphoto Tag	99204	1
20	Adjusting Screw	98509	1	44	Roll Groove Sticker	50516	1
21	Feed Screw	98504	1	45	Ratchet	40208	1
22	Thrust Washer	93044	1	46	Ratchet - Bent Handle	98593	1
23	Slide Block*	99217	1	47	Socket Extension	48594	1
24	Groove Roll Shaft	98505	1				

Reed Manufacturing
1425 West 8th Street
Erie, PA 16502 USA



Phone: 800-666-3691 or +1-814-452-3691
reedsales@reedmfgco.com
www.reedmfgco.com

(See also 59200) RP-0526-96